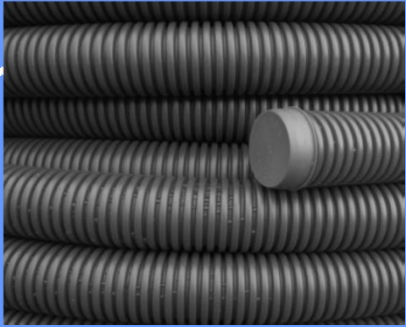


HEAT THERM-DWP

Jacket Pipe for Long- and Short-distance Heat Pipelines

Flexible PE protective corrugated pipe for district heating pipelines



Application

HEAT THERM-DWP pipes were specially developed as jacket pipes for the protection of fluid-carrying pipes and insulating material in long- and short-distance heat pipelines.

The corrugated twin wall profile makes these pipes extremely flexible. Thanks to their reinforced outer wall they are adequately robust to meet the requirements for rough handling at site.

Embedding in accordance with EN 1610 provided, the pipes are perfectly suited for use in installation depths between 0.8m to 6.0m and under SLW 60 classified traffic loads.

Type of pipe

Twin wall pipe, outside corrugated and inside smooth, with reinforced outer wall (tailored to customer's requirements)

Material

Polyethylene PE, virgin material free from any recycled materials

Pollutants/ Resistance

The material used is high-quality virgin material (no reclaimed or recycled materials included).
PE is classified as harmless substance in terms of health. According to the 1999/45/EG regulation, it is toxicologically safe.

Colour

Corrugated outer pipe: black (or as requested by customer)
Smooth inner pipe: natural-coloured
For colouring, masterbatches, exclusively on PE basis are used.

Temperature resistance

Admissible temperature range (without mechanical loads):
short-term: from -25°C to +90°C
permanent: from -25°C to +60°C

Quality

Quality control according to QM manual

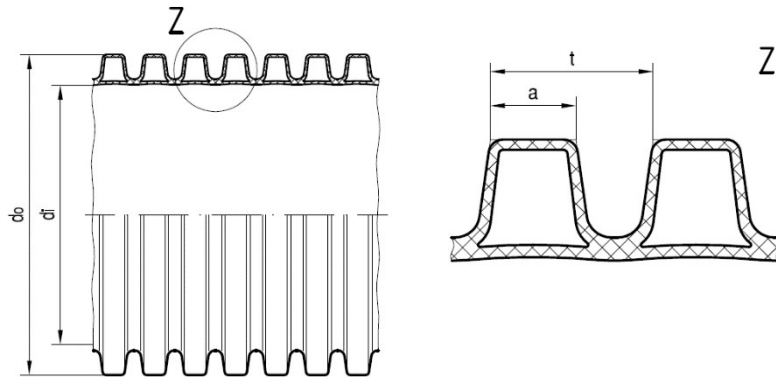


HEAT THERM-DWP

Jacket pipe for district heating

Product geometry/

Ring stiffness



DN	do (mm)	di (mm)	a (mm)	t (mm)	STIS (kN/m ²) DIN EN 9969
75	74.0 +2.5	≥ 61.0	4.4 ±0.4	8.4 ±0.4	> 10
90	89.0 +2.5	≥ 75.0	4.9 ±0.5	9.1 ±0.5	> 10
110	109.0 +3.0	≥ 92.0	6.6 ±0.5	11.5 ±0.5	> 8
125	123.0 +3.0	≥ 105.0	6.3 ±0.6	11.6 ±0.6	> 8
160	158.0 +3.0	≥ 136.0	8.3 ±0.6	15.5 ±0.6	> 6
200	198.0 +3.0	≥ 170.0	9.7 ±0.7	17.5 ±0.7	> 6

Pipe length

Flexible, in rolls of 50m to 100m
Pipe ends are closed by caps to avoid pollution.

Storage

UV stabilized – Outdoor storage up to 24 months possible.
It is recommended that the storing place be roofed or covered.