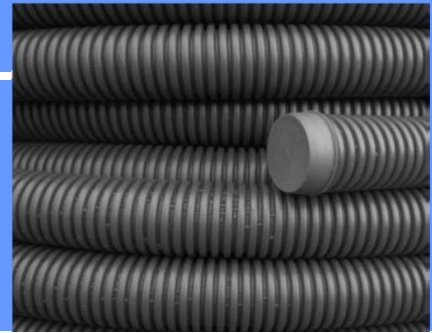


HEAT THERM-SWP

Jacket Pipe for Long- and Short-distance Heat Pipelines

Flexible PE protective corrugated pipes for district heating pipelines



Application

HEAT THERM-SWP pipes were specially developed as jacket pipes for the protection of fluid-carrying pipes and insulating material in long- and short-distance heat pipelines.

The corrugated profile makes these pipes extremely flexible. Thanks to their reinforced outer wall they are adequately robust to meet the requirements for rough handling at site.

Embedding in accordance with EN 1610 provided, the pipes are perfectly suited for use in installation depths between 0.8m to 6.0m and under SLW 60 classified traffic loads.

Type of pipe

Corrugated pipe, outside and inside corrugated, with reinforced outer wall (tailored to customer's requirements)

Material

Polyethylene PE, virgin material free from any recycled materials

Pollutants/ Resistance

The material used is high-quality virgin material (no reclaimed or recycled materials included).
PE is classified as harmless substance in terms of health. According to the 1999/45/EG regulation, it is toxicologically safe.

Colour

Corrugated outer pipe: black (or as requested by customer)
For colouring, masterbatches, exclusively on PE basis are used.

Temperature resistance

Admissible temperature range (without mechanical loads):
short-term: from -25°C to +90°C
permanent: from -25°C to +60°C

Quality

Quality control according to QM manual

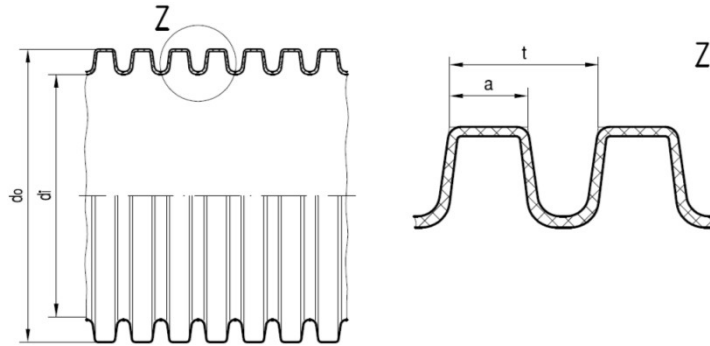


HEAT THERM-SWP

Jacket pipe for district heating

Product geometry/

Ring stiffness



DN	do (mm)	di (mm)	a (mm)	t (mm)	STIS (kN/m ²) DIN EN 9969
75	73.0 +2.5	≥ 60.0	4.4 ±0.4	8.4 ±0.4	> 8
90	88.0 +2.5	≥ 74.0	4.9 ±0.5	9.1 ±0.5	> 8
110	108.0 +3.0	≥ 91.0	6.6 ±0.5	11.5 ±0.5	> 8
125	122.0 +3.0	≥ 104.0	6.3 ±0.6	11.6 ±0.6	> 8
160	157.0 +3.0	≥ 135.0	8.3 ±0.6	15.5 ±0.6	> 6
200	196.0 +3.0	≥ 168.0	9.7 ±0.7	17.5 ±0.7	> 6

Pipe length

Flexible, in rolls of 50m to 100m
Pipe ends are closed by caps to avoid pollution.

Storage

UV stabilized – Outdoor storage up to 24 months possible.
It is recommended that the storing place be roofed or covered.